

HTYA615

Family	Dishwasher
Subfamily	Hoodtype dishwasher
Basket dimensions	600x500 e 500x500 mm
Power connection	400 V 3N~ / 16 A / 9,7 kW / 50 Hz
Width	716 mm
Depth	760 mm
Height	1520 mm
Usable load height	420 mm



Distribution

Solutions	Restaurants/Catering; Bakery/Pastry making; Industrial pastry&bakery laboratories; Butcher's shops; Meat processing industry; Schools
-----------	--

Aesthetics

Serie	Easyline	Led color	Green
Control panel	Electronic		

Functions



Functionality	Euronorm trays washing; GN 1/1 trays washing; Triple filter; HTR; Door clearance 420mm
---------------	---

Programs

Programs

Boiler 85°C/Tank 60°C-1'10"	Boiler 85°C/Tank 60°C-1'30"	Boiler 85°C/Tank 60°C-2'
Boiler 85°C/Tank 60°C-2'30"	Boiler 85°C/Tank 60°C-4'	Boiler 85°C / Tank 60°C - 1'

Drain and self cleaning cycle	Yes
Maximum basket/hour	51
Maximum dishes/hour	1122

Interface

Panel	Easyline 2016	Detergent missing alert	Yes
Display	8 digit	Cycle progress alert	Yes
On/Off button	Yes	End-cycle alert	Yes
Rinse aid missing alert	Yes	Manual diagnostic	Yes

Construction

Tank	Deep drawn	Hood	Double wall
Tank construction	Double wall	Tank capacity	25 l
Tank material	Stainless steel AISI 304	Boiler capacity	8 l
Back panel	St/steel	Protection class	IPX4
Tank filter	Stainless steel	Net weight	138.000 kg
Washing spray arm	Stainless steel	Adjustable feet	95 mm
Rinse spray arm	Stainless steel	Drain max. height	1000 mm

Consumption and connections

Tank heating element	2200 W	Water cycle consumption	3,2 l
Boiler heating element	9000 W	Water inlet	Cold 15°C
Washing pump	730 W	Max temperature inlet water	60°C
Default connection	9730 W	Max water hardness	12°FH - 7°dH
Electrical connection option	230 V~ / 31 A / 7,0 kW / 50 Hz	Water inlet	Cold 15°C

Electrical Connection

Plug	Not present
------	-------------

Manuals and Certifications

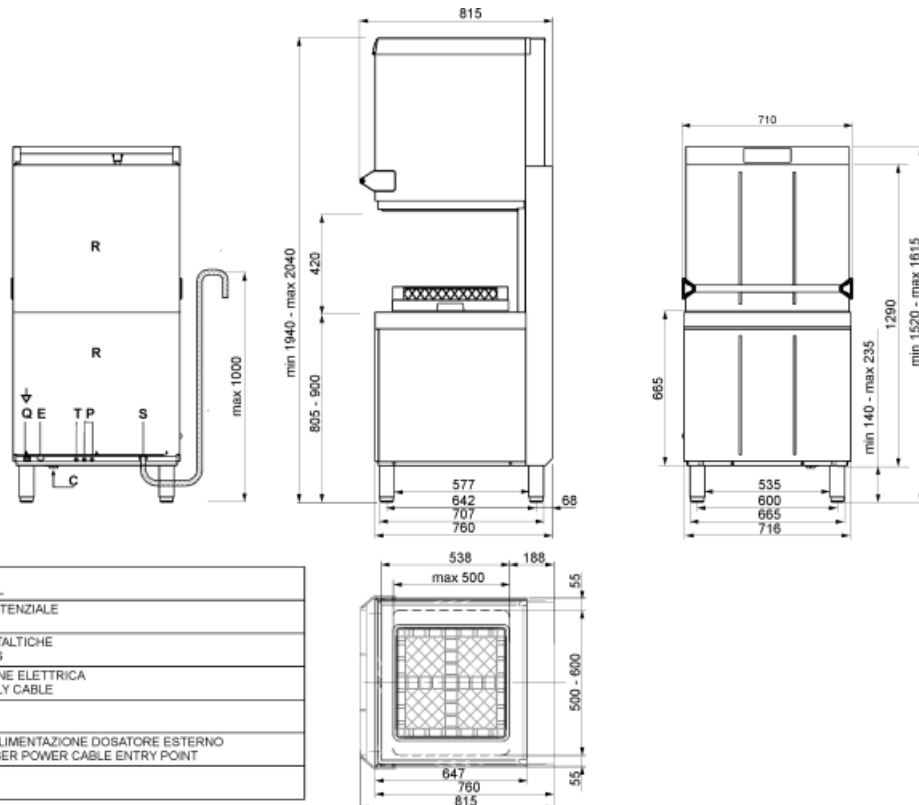
Certificate	CE, Watermark
-------------	---------------

Equipments

Peristaltic detergent doser	Yes, electronic control	Drain pump with 3 stage filter system	Yes
Peristaltic detergent doser	Yes, manual	Rinse pump H.T.R. system	Rinse pump with atmospheric boiler
Peristaltic rinse-aid doser	Yes, electronic control	Break tank	Yes
Detergent load	Yes, manual	Partial renewal of water in the tank and built-in drain pump	Si
Peristaltic detergent doser	Yes, manual	Water supply pipe diameter	16 mm
Rinse load	Yes, manual	Drain supply pipe diameter	21,5 mm
Soft Start	Yes	Automatic start	Yes, default OFF
Boiler thermostop	Yes default ON	Chemicals level probe	Yes, optional KITSONLIV
Cycle counter	Yes	Trays/basket washing option 600x400	Yes
Deaftul chemicals dosing unit of measure	gr/lt	Trays washing option GN1/1 530x325mm	Yes

Accessories Included

Dish basket	PB60D01	Water supply pipe	Yes - 2m
Cutlery basket	PHOOS03	Drain pipe	Yes - 2m
Flat basket	PB60G01		



R	PANNELLO RETRO LOWER BACK PANEL
Q	MORSETTO EQUIPOTENZIALE EARTH TERMINAL
P	TUBI POMPE PERISTALTICHE PERISTALTIC HOSES
E	CAVO ALIMENTAZIONE ELETTRICA ELECTRICITY SUPPLY CABLE
S	TUBO DI SCARICO DRAIN HOSE
T	ENTRATA CAVO DI ALIMENTAZIONE DOSATORE ESTERNO EXTERNAL DISPENSER POWER CABLE ENTRY POINT
C	TUBO DI CARICO FILLER HOSE

Not included accessories



WH00S01

Wire insert for 12 small dishes



PHOOS01

Single basket in polypropylene for cutlery



PHOOS02

Basket in polypropylene for cutlery with 6 compartments

Symbols glossary (TT)

