



**Caterware CW-GCG60  
60cm Charbroiler on Stand**

Project #: \_\_\_\_\_ Item #: \_\_\_\_\_

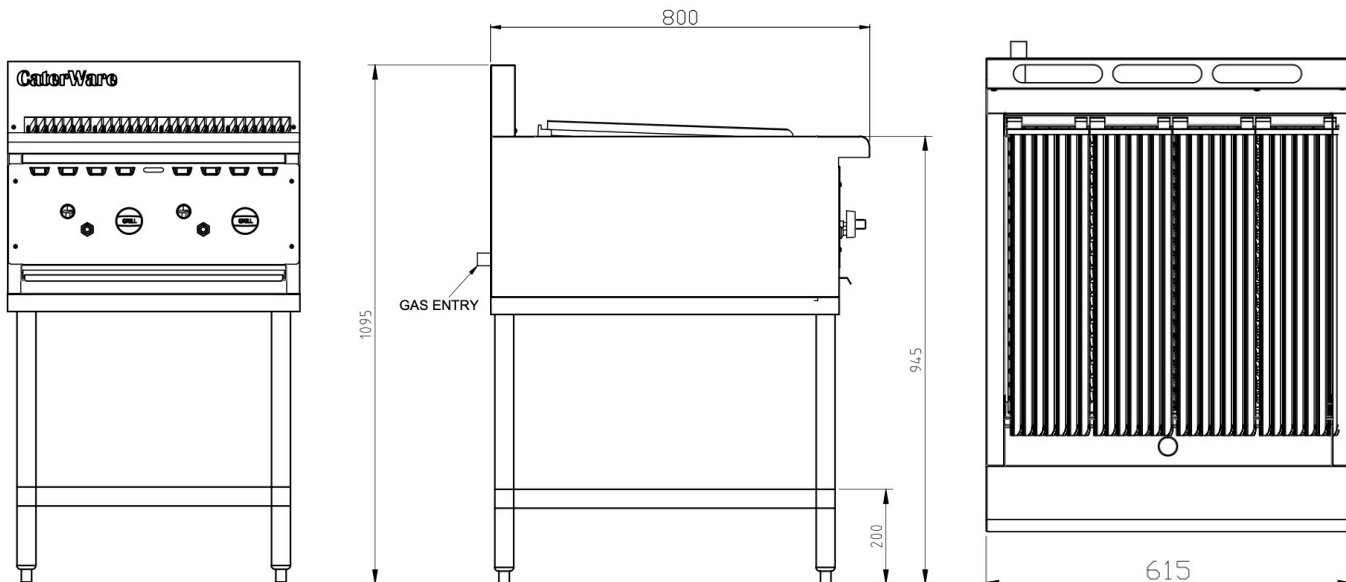


CW-GCG60

**Standard Features:**

- \* AISI 304 Grade Stainless Steel
- \* Heavy duty stainless stand plus undershelf included as standard
- \* Flame failure protection and pilot
- \* Piezo ignition to pilot
- \* Gas control valve for easy setting of flame
- \* Heavy duty cast iron J-Grates & Radiant Hoods
- \* 1 x 28Mj s/steel U Burner per 300mm section
- \* Easily serviceable components
- \* Removable drip tray for easy cleaning

**Options: LPG or Natural Gas**



Width (mm)	Depth (mm)	Height (mm)	Net Weight (kg)	Gas Consumption (Mj/h)		
				Natural Gas	LPG	
615	800	1095	127	56	56	
Unit <b>Must</b> be installed by an authorised technician in accordance with <b>AS5601</b> Gas regulator included with each unit Caterware reserves the right to alter specifications				Supply Pressure (kPa)		
				Gas (BSP)	Natural Gas	LPG
				3/4" Male	1.0	2.65



**Approval Number  
GMK 10392**

**CaterWare** Phone: +61 7 5597 5599  
2/6 Resources Crt, Molendinar, QLD. 4214 Australia  
caterware@icloud.com www.caterware.com.au